



# INSTALLATION INSTRUCTIONS

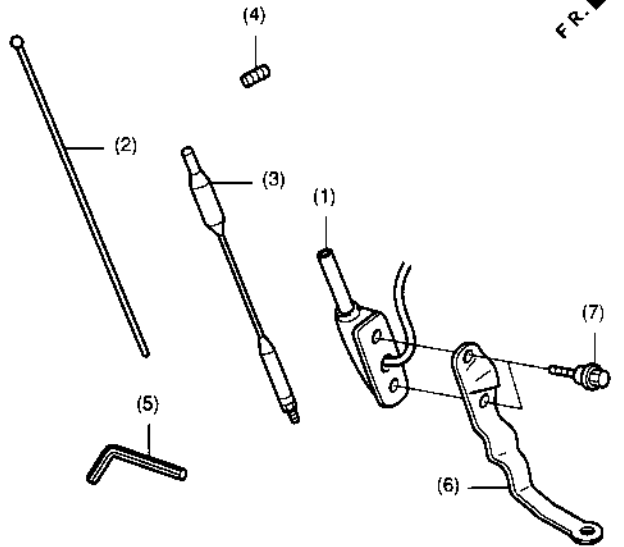
Accessory	Application	Publications No.
<b>CB ANTENNA</b> P/N 08E96-MCA-100	<b>GL1800</b>	Issue Date <b>December 2000</b>

Accessory	Application	Publications No.
<b>CB ANTENNA</b> P/N 08E96-MCA-100	<b>GL1800</b>	Issue Date <b>December 2000</b>

Accessory	Application	Publications No.
<b>CB ANTENNA</b> P/N 08E96-MCA-100	<b>GL1800</b>	Issue Date <b>December 2000</b>

Honda Dealer: Please give a copy of this instruction to your customer.

## PARTS LIST



No.	Description	Q'ty
(1)	Base antenna	1
(2)	Upper antenna	1
(3)	Lower antenna Assy.	1
(4)	Stop screw	2
(5)	2 mm Hex wrench	1
(6)	Antenna plate	1
(7)	6 mm Flange bolt	2

## TOOLS REQUIRED

- Socket (8, 10 mm)
- Ratchet
- Open-end wrench (14 mm)
- Electric drill motor
- Drill bit (10, 13 mm)
- Scale
- Marker
- Torque wrench

**Customer Information:** The information in this Accessory Installation Instruction is intended for use only by skilled technicians who have the proper tools, equipment, and training to correctly and safely add equipment to your motorcycle. These procedures should not be attempted by "do-it-yourselfers."

## TORQUE CHART

Be sure to tighten all bolts to their specified torque.

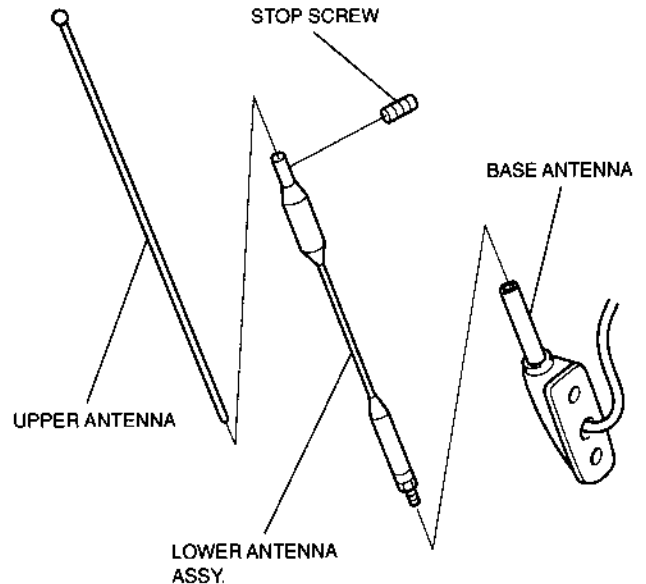
Item	N·m	kgf·m	lbf·ft
6mm Flange bolt	12	1.2	9

## INSTALLATION

### NOTE:

- This accessory is designed to be used exclusively with the CB radio.
- This accessory should be installed immediately before installing the fuel tank cover, etc., after the CB radio harness has been routed.

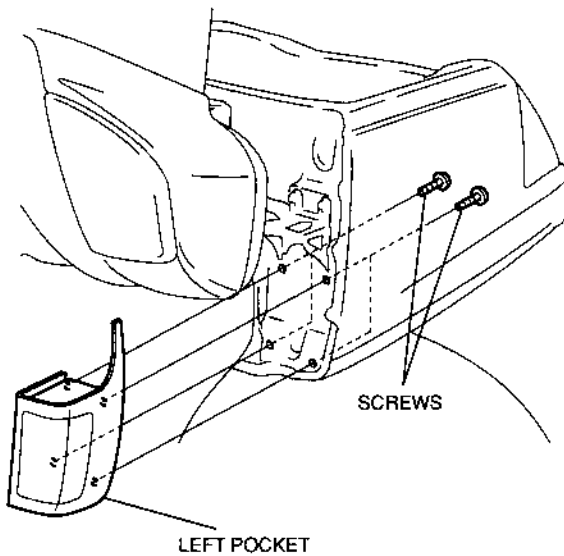
1. Assemble the base antenna, lower antenna assembly and upper antenna as shown.



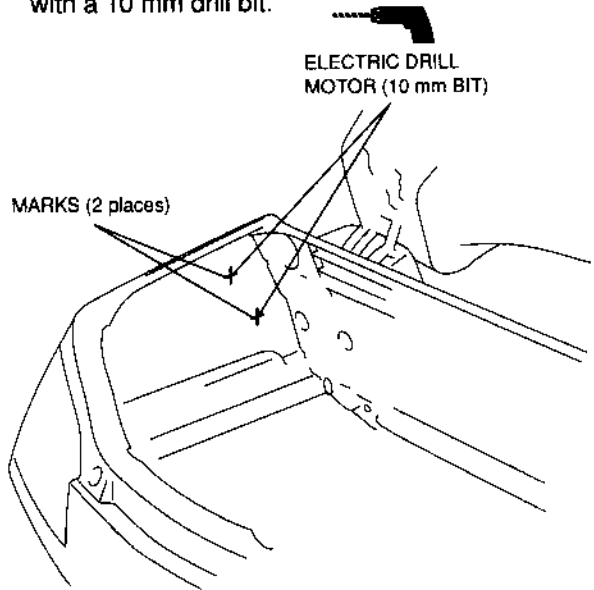
2. Remove the seat as described in the Service Manual.



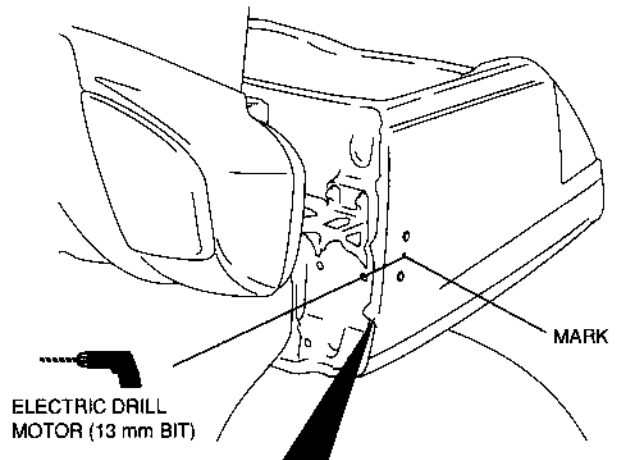
3. Remove the left rear pocket.



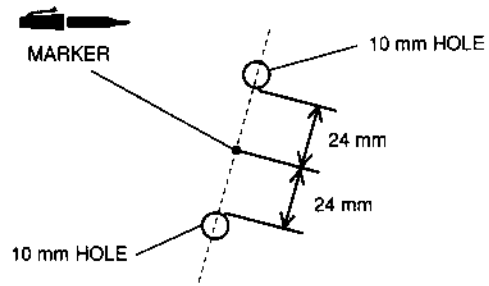
4. Locate the two marks on the inside of the motorcycle's trunk and drill a hole through each mark using an electric drill motor starting with a 3 mm, 6 mm and finally with a 10 mm drill bit.



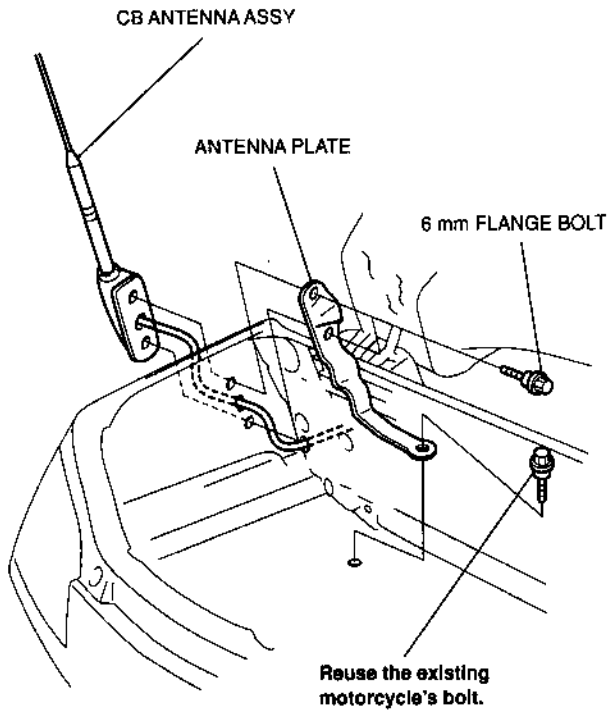
5. Locate the mark on the outside of the motorcycle trunk and drill a hole through the mark using an electric drill motor starting with a 3 mm, 6 mm, and finally with a 13 mm drill bit.



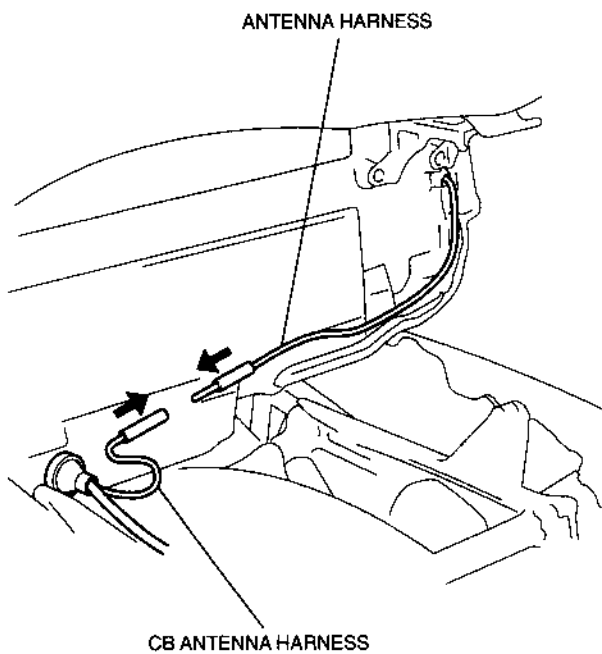
To measure antenna harness hole location.  
Use preset hole as your measurements.



6. Install the CB antenna Assy on the trunk as shown.



7. Route and connect the antenna harness to the CB antenna harness, then reinstall the left pocket.



8. Reinstall the left pocket and seat in the reverse order of removal.

### CONFIRMATION AFTER INSTALLATION

- Raise the lower antenna assembly, tilt the antenna forward and tighten the nut.

